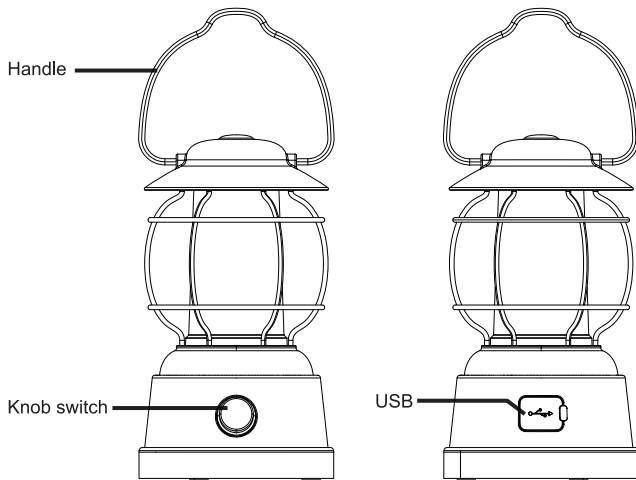


Compact LED Lantern

INSTRUCTION MANUAL



Rated power(W)	: 8W
Rated voltage(V)	: DC3V-4.2V
Dimming range(W)	: 5%~100%(0.4W~8W)
Colour temp(K)	: 2200K/5700K
Colour Rendering Index(Ra)	: Ra≥80
Luminous flux(Lm)	: 15~350lm(2200K) 20~450lm(5700K)
USB output/charging input	: 5V/3A
Battery type	: Lithium battery
Battery capacity(mAh)	: 3.7V 5200mAh
Charging time(H)	: ≥3hours
Endurance time(H)	: 6~200 Hours
Working temp(°C)	: Charging 0°C~45°C Discharging -10°C~50°C
Storage temperature(°C)	: -20°C~60°C
Working humidity(%)	: ≤95%
Storage condition	: Dry ventilated place
Whole light weight(g)	: 479g(Include battery)
Size	: 126*223mm
Light body materials	: Plastic + Iron + Bamboo
IP rating(IP)	: IPX4

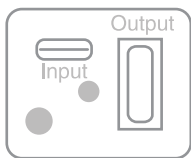
Knob switch

- A: Press knob 1s to turn on lamp. Warm lighting mode is lowest lumen. The light gets brighter by turning knob clockwise and counter-clockwise for darken.
- B: Press knob for Daylight (Mode 2),The light gets brighter by turning knob clock wise and counter-clockwise for darken.
- C: It takes 3-4 rounds for the knob to switch the light from Darkest level to Brightest level.

Note: Long press knob for switch on/off lamp, short press for mode switching.

The lamp will be turned off automatically if the voltage of battery is lower than 3V, which means it needed to recharge. Please turn off the light while recharging.

USB As the below picture shown, open the rubber cover:



DC 5V adaptor (not included)
Do not use unmatched adaptor

The green indicator flickers say power charging, green light going on say full with power.
When the USB output interface is used for external equipment charging, the green indicator going on and the indicator flicker means power off.

Notice: USB output interface is not available during charging.

Notes:

1. Only for DC+5V adaptor.
2. Do not be directly exposed to rain water.
3. To prevent it from battery damage as overfall, please charge timely when power off.
4. Please charge once per three months if not use for quite some time.
5. To prevent it from water and dust contaminant, please cover the USB output interface with waterproof film when it not in use.
6. In order to avoid accidents, please do not put it into fire.
7. Please store in a dry and ventilated place.



Warranty card

Product name Compact LED Lantern Model No. YW-04

The customer information

The factory code _____ Date of production _____

Name _____ Telephone _____

Inspector _____ Inspection conclusion 

Address _____ Purchase date _____

1. This product from the date of sale and warranty for one year.
2. The company will provide you with high quality after-sales service.
3. If the user due to damage caused by man-made factors, the company is required for a maintenance repair charge.
4. Please keep this card, we will use this as warranty basis.